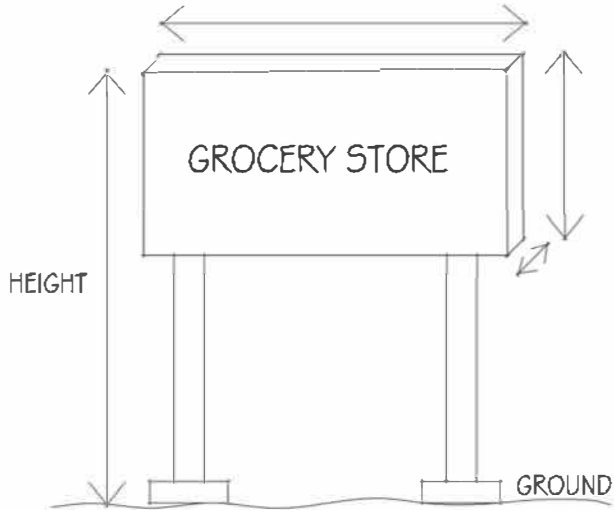
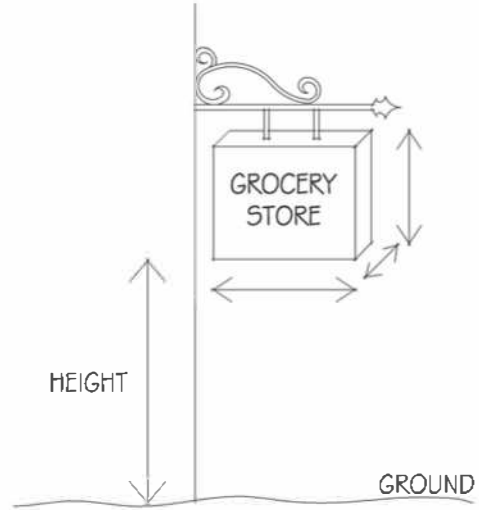


ILLUSTRATION

① FREESTANDING SIGN (NEW)



② PROJECTION SIGN (NEW)



③ WALL SIGN (EXISTING-TO BE REMOVED)



④ WALL SIGN (NEW)



(\longleftrightarrow) INDICATE DIMENSIONS
(WIDTH, HEIGHT AND THICKNESS)
SCALE: 1:50

Drawing Title	SIGN PLAN	Drawn by:	Date:
---------------	------------------	-----------	-------

This plan is provided for illustrative purposes only. It should not be construed as an example of work that complies with zoning by-laws, the National Building Code, or any other applicable laws.